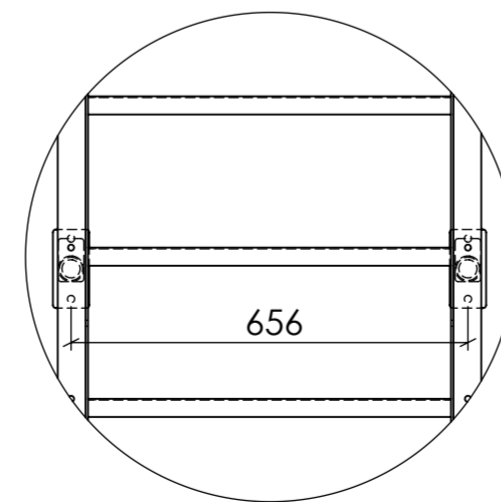
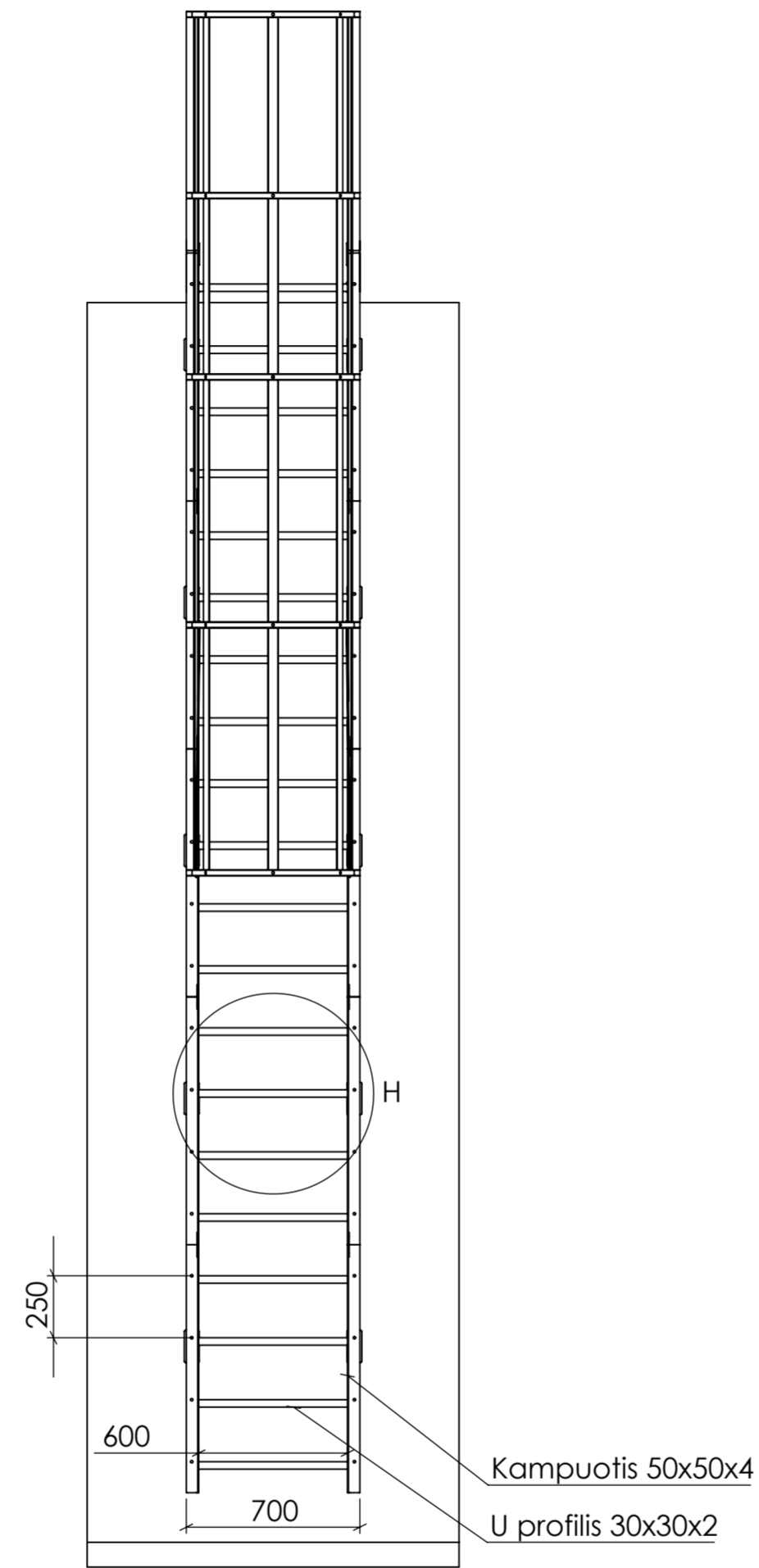
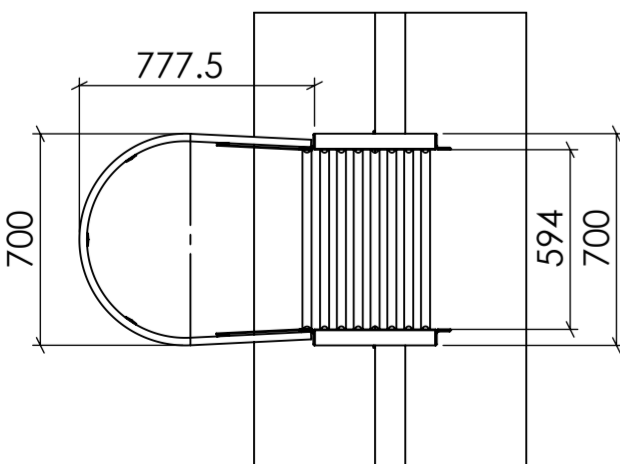
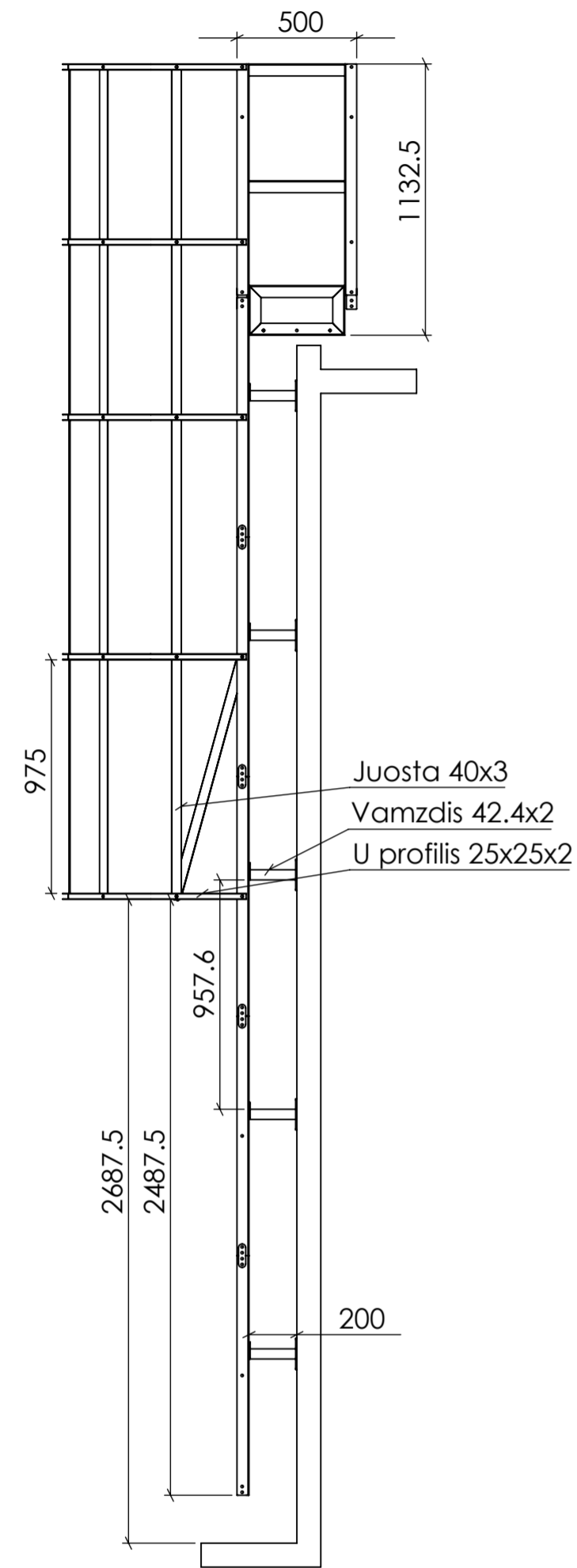


KOP_6.0



DETAIL H
SCALE 2 : 25

